

SMT TG series

Surface mount tiny washable slide switches



DISTINCTIVE FEATURES

Tape and reel packaging

Reflow solderable

Available with positioning pins

Washable



ELECTRICAL SPECIFICATIONS

- Max. current/voltage rating with resistive load :
0.4 VA 20 V max. AC or DC
- Minimum load : 10 mA 50 mV or 10 μ A 5 VDC
- Initial contact resistance : 20 m Ω max
- Insulation resistance : 1,000 M Ω min. at 500 VDC
- Dielectric strength :
1,000 Vrms. 50 Hz min. between terminals and frame
500 Vrms. 50 Hz min. between terminals
- Electrical life at full load :
- 2 position switches : 60,000 cycles
- 3 position switches : 30,000 cycles



GENERAL SPECIFICATIONS

- Actuator travel : 2.60 mm (.102)
- Operating temperature : -40 °C to +85 °C (-40 °F to +185 °F)
- Moisture resistance : 21 days per IEC 512-6 test 11c
- Vibration resistance : 10-500 Hz / 10 g per IEC 512-4 test 6d
- Shock resistance : 50 g per IEC 512-4 test 6c

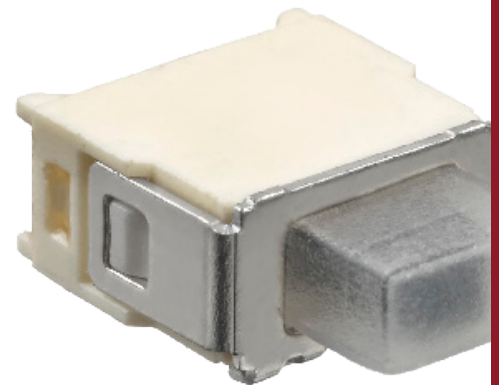


MATERIALS

- Case : high temperature plastic material UL94-V0
- Actuator : high temperature plastic material UL94-V0
- Ground plate and positioning pins : steel, tin plated
- Contacts : brass, gold plated
- Terminals : brass, with pure tin plating over nickel barrier
- Rubber seal : silicone, transparent

APEM products may be recycled at end-of-life for the re-claiming of valuable metal components.

The company reserves the right to change specifications without notice.



SMT TG series

Surface mount tiny washable slide switches

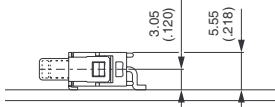


SOLDERING AND CLEANING

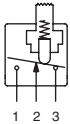
- Reflow soldering : infrared, vapor phase or infrared convection
- Washable per IEA-RS448-2 :
 - water + detergent - preferred
 - solvents
- Further information on reflow soldering : see "Technical information" on website.



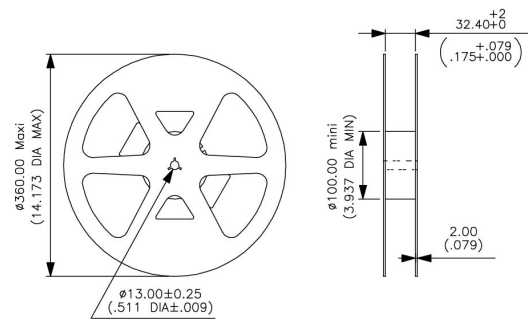
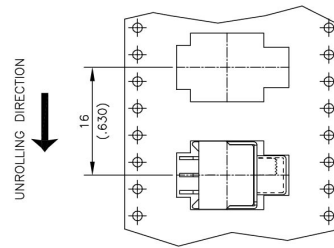
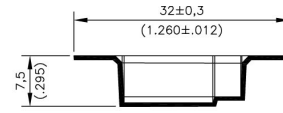
MOUNTING



ELECTRICAL FUNCTIONS



PACKAGING



Tape width	24.00 (.944)	44.00 (1.732)
Reel (dimension A)	24.40+2.00/0.00 (.960+.078/.000)	44.40+2.00/0.00 (1.748+.078/.000)

Standard packaging unit : 500 pieces
Tape meeting international standard IEC -
Publication 286-3 (EIA481A)
Start leader : 400 mm min.

SMT TG series

Surface mount tiny washable slide switches

SLIDE SWITCHES



TG36WS80050	ON	-	ON
TG39WS80050	ON	OFF	ON

SLIDE SWITCHES - WITH POSITIONING PINS



TG36WS80065	ON	-	ON
TG39WS80065	ON	OFF	ON

SLIDE SWITCHES - WITH FLUSH ACTUATOR

Without positioning pins

TG36WS81050	ON	-	ON
TG39WS81050	ON	OFF	ON



With positioning pins

TG36WS81065	ON	-	ON
TG39WS81065	ON	OFF	ON

Shown without positioning pins (positioning pins same as above)

Rubber seal removable after cleaning.

